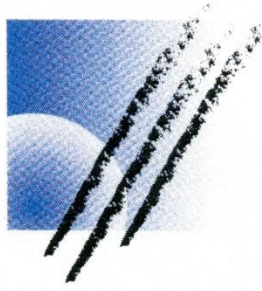


pflug.



*Driving gear and conveyor
technology
Profiled belts
Continuous round belts
turned and plaited*

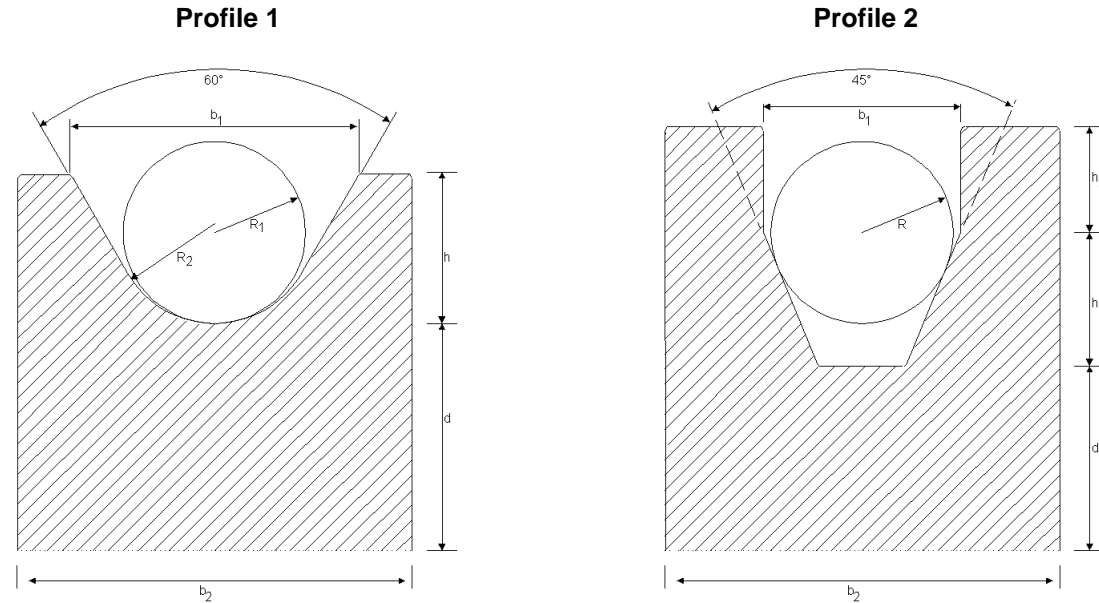
Belt pulleys



We manufacture pulleys in our own production plant either as standard pulleys or according to customer requests out of aluminium, steel, stainless steel, polyamide or POM – in a wide range of profile forms.

Round belt pulleys

Rim shapes of round belt pulleys



$b1 = \varnothing + 55,6\%$
 $b2 = 2 \times \varnothing$
 $h = 80\%$ from \varnothing
 $r1 = \frac{1}{2} \varnothing$
 $r2 = \frac{1}{2} \varnothing + 10\%$
 $d = \text{Pulley} - \varnothing$

$b1 = \varnothing + 10\%$
 $b2 = \varnothing + 80\%$
 $h1 = 80\%$ from \varnothing
 $h2 = \frac{1}{2} \varnothing$
 $r = \frac{1}{2} \varnothing$
 $d = \text{Pulley} - \varnothing$

Order code: P1

P2

Drive

PUR round belts
 Elastic round belts (high-speed)
 Plaited round belts
 Turned round belts (high-speed)
 Injected round belts

Drive

Elastic round belts (low-speed)
 Plaited round belts (low-speed)
 Turned round belts (low-speed)

Transport

PUR round belts
 Elastic round belts
 Plaited round belts
 Turned round belts
 Injected round belts

Transport

Elastic round belts
 Plaited round belts
 Turned round belts
 (reasonably reducing h2)

Profile 1 is primarily used for high-speed drives, deflexion pulleys and supporting pulleys. Profile 2 used for slower drives and conveying applications with high power transmission. In selecting a pulley profile, please pay attention to the information of the various types. In the data sheets there may be, depending on the materials used, other recommendations.

These pulleys are supplied from:

20 – 50 mm \varnothing with single-sided hub 10 mm, predrilled with 5 mm
 50 – 100 mm \varnothing with single-sided hub 10 mm, predrilled with 6 mm
 100 – 150 mm \varnothing with single-sided hub 15 mm, predrilled with 8 mm
 150 – 250 mm \varnothing with single-sided hub 15 mm, predrilled with 12 mm
 250 – 350 mm \varnothing with single-sided hub 20 mm, predrilled with 15 mm

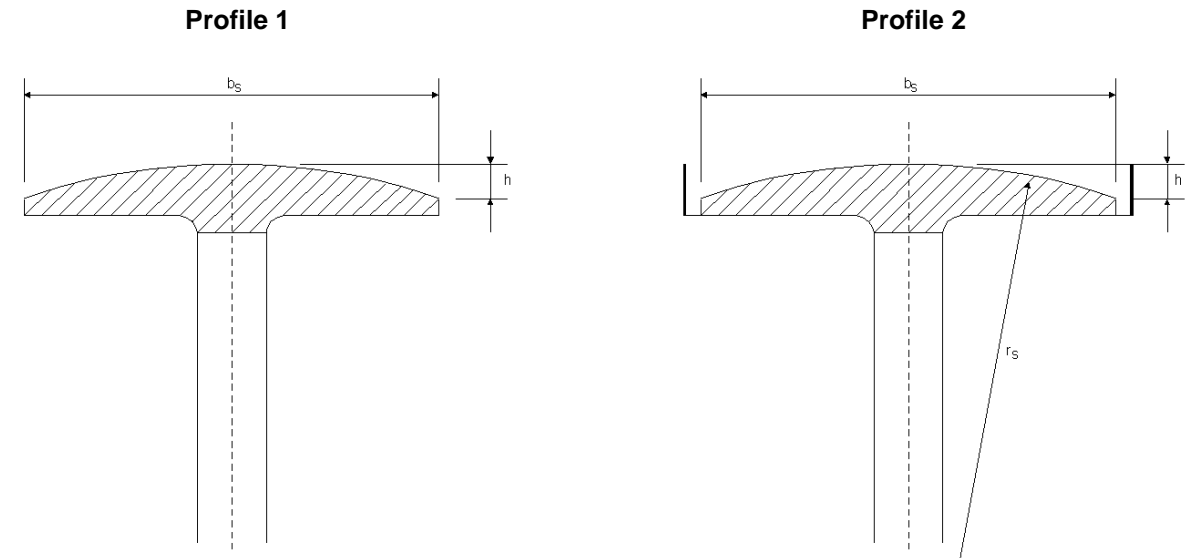
We not only offer blanks but also finished products with bore hole, key slot and adjusting screw. We can process diameters of up to 650 mm with our machines.

Flat belt pulleys

Rim shapes of flat belt pulleys

Basically belt pulleys should be manufactured in accordance with the applicable DIN or ISO standard.

Convex rims according to DIN 111 or ISO 100



slightly convex rim

slightly convex rim
with side borders

Order code: SBK

SBKB

The running surface of the pulley should have a surface roughness of $R_z 25$ according to DIN 4768 in order to ensure good friction between the flat belt and the pulley.

Table: Bulging height or convexity as a function of belt width b

b (mm)	10	13	16	20	25	32	40	50	63	80	100	125	160	200
bs (mm)	13	16	20	25	32	40	50	63	80	100	125	160	200	250
h (mm)	0,3	0,3	0,3	0,3	0,3	0,4	0,4	0,4	0,4	0,4	0,5	0,6	0,7	0,8
rs (mm)	71	107	167	261	427	500	782	1241	2000	2500	3907	5334	7143	9766

Pulley shape for horizontal shafts

Basically the large pulley should always be convex. The small pulley can be cylindrical if the transmission ratio exceeds 1:3.

Pulley shapes for vertical shafts

Both pulleys should be convex in all cases.

These pulleys are supplied from:

20 – 50 mm \varnothing with single-sided hub 10 mm, predrilled with 5 mm
 50 – 100 mm \varnothing with single-sided hub 10 mm, predrilled with 6 mm
 100 – 150 mm \varnothing with single-sided hub 15 mm, predrilled with 8 mm
 150 – 250 mm \varnothing with single-sided hub 15 mm, predrilled with 12 mm
 250 – 350 mm \varnothing with single-sided hub 20 mm, predrilled with 15 mm


pflug. Driving gear and conveyor technology
Plaited belts
Continuous round belts
Turned and plaited

Company profile



pflug. Driving gear and conveyor technology
Plaited belts
Continuous round belts
Turned and plaited

Testing Service



pflug. Driving gear and conveyor technology
Plaited belts
Continuous round belts
Turned and plaited

Welded timing belts in short lengths




pflug. Driving gear and conveyor technology
Plaited belts
Continuous round belts
Turned and plaited

Round belts for heat-setting machines




pflug. Driving gear and conveyor technology
Plaited belts
Continuous round belts
Turned and plaited

Endless injected round belts




pflug. Driving gear and conveyor technology
Plaited belts
Continuous round belts
Turned and plaited

Endless turned round belts




pflug. Driving gear and conveyor technology
Plaited belts
Continuous round belts
Turned and plaited

Endless plaited round belts



pflug. Driving gear and conveyor technology
Plaited belts
Continuous round belts
Turned and plaited

Hooked belts



pflug. Driving gear and conveyor technology
Plaited belts
Continuous round belts
Turned and plaited

PU round- and profile belts



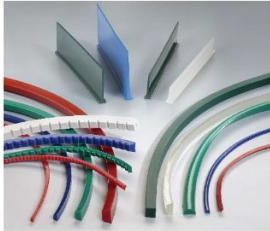
pflug. Driving gear and conveyor technology
Plaited belts
Continuous round belts
Turned and plaited

PU profile belts and special profiles



pflug. Driving gear and conveyor technology
Plaited belts
Continuous round belts
Turned and plaited

PU tracking guides, cleats and guides



pflug. Driving gear and conveyor technology
Plaited belts
Continuous round belts
Turned and plaited

PU-V-Guide belts compliant to EU/FDA



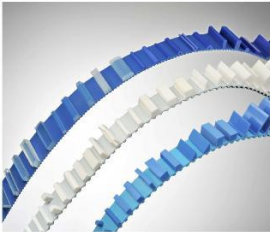
pflug. Driving gear and conveyor technology
Plaited belts
Continuous round belts
Turned and plaited

Food line
Types for the food industry compliant to EU/FDA



pflug. Driving gear and conveyor technology
Plaited belts
Continuous round belts
Turned and plaited

PU cleats and block profiles



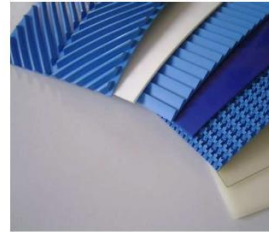
pflug. Antistatische und Halbleitertechnik
Plaited belts
Continuous round belts
Turned and plaited

PU Poly-V belts



pflug. Antistatische und Halbleitertechnik
Plaited belts
Continuous round belts
Turned and plaited

PU coatings



© Copyright Any duplication, processing, distribution or any form of utilization requires our prior written consent.

Pflug Antriebs- und Fördertechnik
Lange Str. 38
D-89547 Gerstetten-Dettingen

Phone: 0049 (0)7324/5413
Fax.: 0049 (0)7324/5316

E-Mail: info@seilerei-pflug.de
HP: www.seilerei-pflug.com

Effective 09/2023